

Cast Iron Atmospheric Gas Boilers

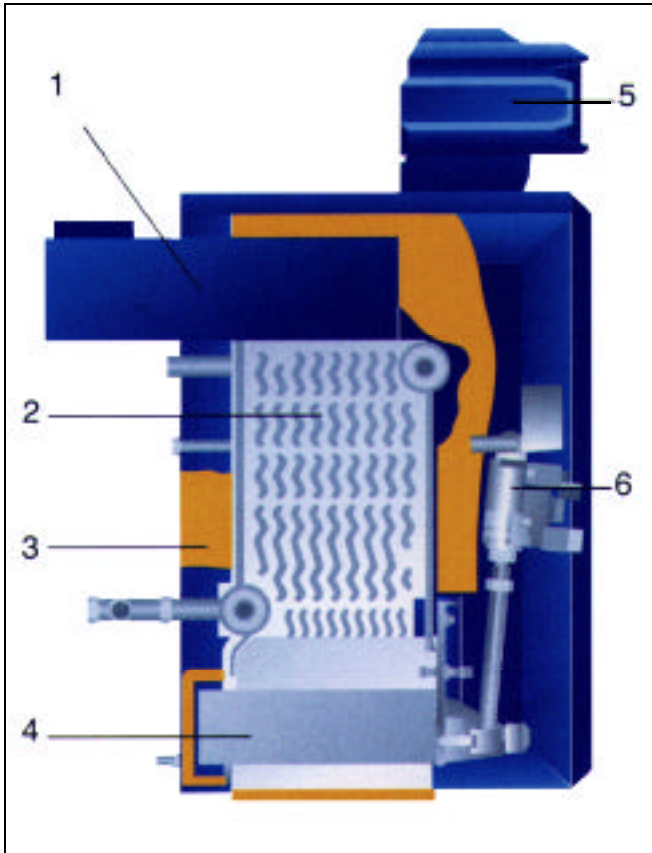


Buderus

G234X and G334X Series

Buderus G234X and G334X Series boilers set new standards for service, quality, and efficiency.

Models 73 through 132 come with 2 burner assemblies and 2 gas trains, allowing step firing.



1. Draft hood with integral diverter for dilution of flue gases.
2. Boiler sections: flexible cast iron with contoured fins.
3. Deluxe blue enameled insulated boiler jacket.
4. Stainless steel pre-mix burners with high reliability.
5. Optional Ecomatic control for better comfort and fuel economy.
6. Gas valve with intermittent ignition.

Standard Boiler Features:

- ❑ Manufactured by Buderus, world's leader in cast iron boiler design and production.
- ❑ Flexible GL-180M cast iron, designed to resist thermal shock for long life.
- ❑ High silicone cast iron surface for excellent corrosion resistance.
- ❑ High precision castings with steel push nipples.
- ❑ Staggered contoured fins for optimum heat transfer and efficient operation.
- ❑ Deluxe, heavy-gauge, blue enameled jacket.
- ❑ Full 3" thermal insulation for minimal standby losses.
- ❑ Integral draft diverter for low profile.
- ❑ All U.S. manufactured Honeywell Controls.



A.G.A. Certified for Natural and Propane Gas



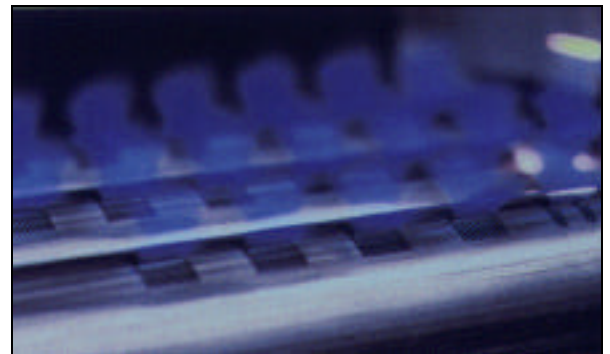
Tested for 58 lbs. ASME Working Pressure



C.G.A. Certified for Natural and Propane Gas

Stainless Steel Premixed Burners:

- ❑ Low emissions with Premixed Burner Technology
- ❑ Factory tested for natural gas operation.
- ❑ All models easily converted to propane.
- ❑ Complete burner tray is easily removed.
- ❑ Durable, quiet and efficient, designed for long life.



Outstanding features that make the G234X and G334X Series investments that pay off:

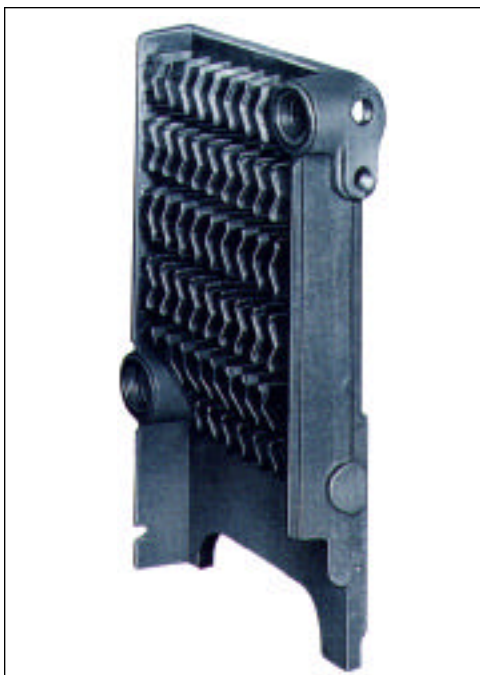


Model Features:

- ❑ G234X-packaged boiler.
- ❑ AFUE Ratings over 84%.
- ❑ Attractive and compact design.
- ❑ G334X has two-stage firing capability.
- ❑ All models include 30 PSI relief valve, drain and P&T gauge.

Service Features:

- ❑ Standard non-combustible base.
- ❑ Approved for 2" side clearance to combustibles.
- ❑ Quick disconnect coupling for easy burner removal.
- ❑ All rear tappings for clean, finished appearance.
- ❑ Plug-in connection for vent damper on G234X.



Manufactured from high grade cast iron under strict quality control, the G234X and G334X will provide durability with efficiency.

Delivery and Packing:

- ❑ Boiler sizes 38 to 64
Units completely assembled, jacket installed.
- ❑ Boiler sizes 73 to 132
Sections, burners, and controls assembled; Draft diverter and insulated jacket panel packaged separately.
- ❑ Vent Damper sold separately on larger models.

Shipment of boilers up to model 64 within the U.S.A. include standard vent damper to meet DOE requirements.

G234X and G334X Series

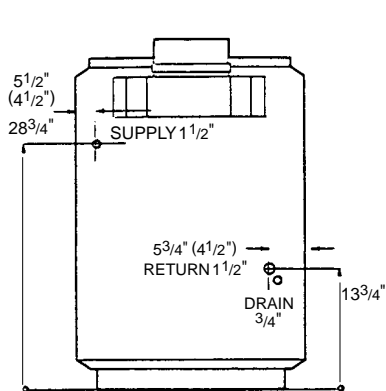


Fig. 1 Rear View

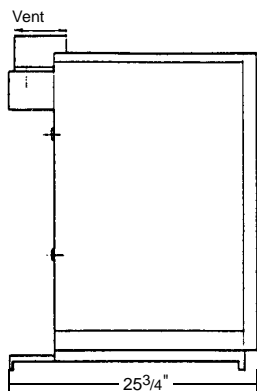


Fig. 2 Side View

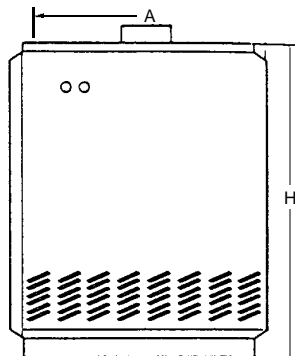


Fig. 3 Front View

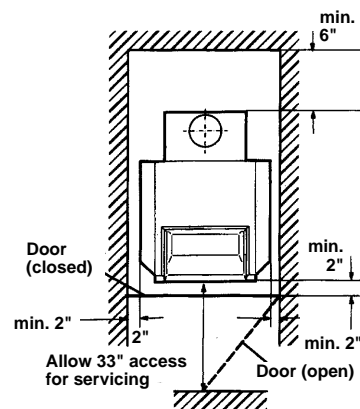


Fig. 4 Top View
(Illustrating closet installation)

Dimensions in brackets apply to G334X models. Relief valve installed on supply header.

Series		G234X				G334X			
Model		38	45	55	64	73	92	116	132
AGA Input	MBH	160	187	228	266	301	378	476	542
DOE Heating Capacity/ Gross Output	MBH	130	154	188	219	249	314	396	451
Net I-B-R Rating*	MBH	113	134	163	190	217	273	344	392
AFUE†/Combustion Eff.	%	84.3	84.1	84.8	84.3	83.5	82.9	83.8	83.2
Boiler Height H	Inches	38 1/2	38 1/2	38 1/2	38 1/2	40 3/4	40 3/4	40 3/4	40 3/4
Width A	Inches	25 3/4	25 3/4	29	32 3/4	34 3/4	41 3/4	48 3/4	56
Weight	Lbs.	487	487	562	684	758	930	1093	1265
Flue Diameter	Inches	7	7	7	8	8	9	10	10
Water Content	Gallons	6.1	6.1	7.1	8.2	9.2	11.4	13.5	15.6
Gas Connection	Inches NPT	3/4	3/4	3/4	3/4	1 1/4	1 1/4	1 1/4	1 1/4
Flow Resistance at 20°FΔT	Inches W.C.	16.1	22.1	25.3	28.9	32.1	44.1	54.2	60.2

*The Net I-B-R Ratings are based on a piping allowance of 1.15. Consult factory before selecting a boiler for installation having unusual piping and pick-up requirements such as exposed piping.

† AFUE Ratings apply only to boilers with an AGA input below 300,000 Btu/hr.

Boiler installed by:
(contractor's address)

Boiler installed on:
(date of installation)

Buderus
HYDRONIC SYSTEMS

Buderus Hydronic Systems
50 Wentworth Avenue
Londonderry, NH 03053 USA
Tel: (603) 552-1100 • Fax: (603) 421-2719
www.buderus.net

Buderus Hydronic Systems, Inc. reserves the right to make changes without notice due to continuing engineering and technological advances.